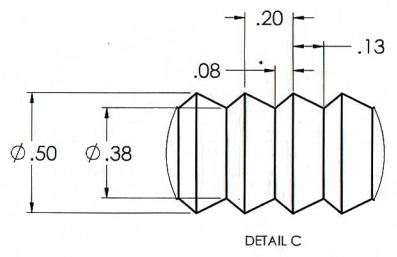
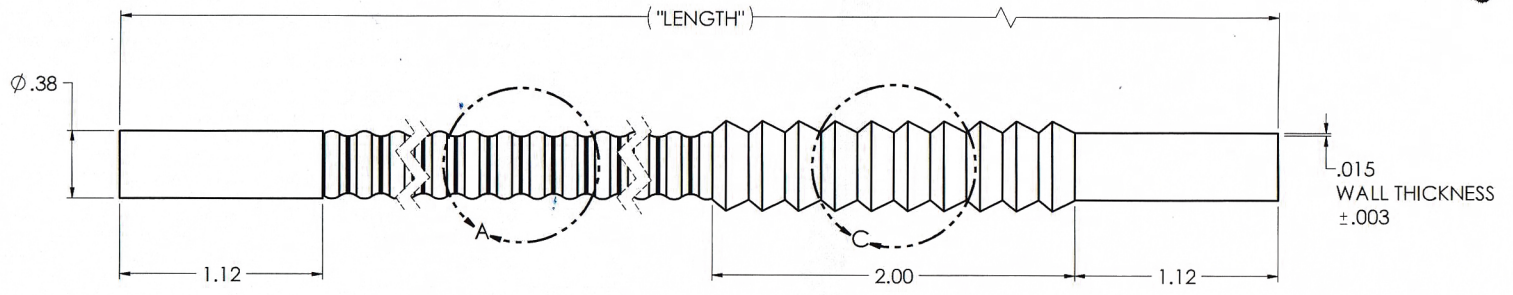
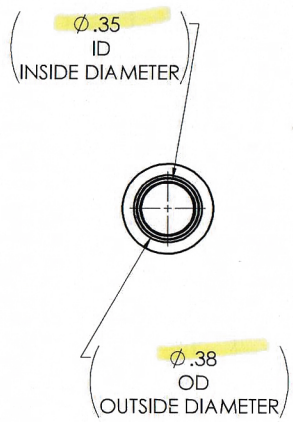
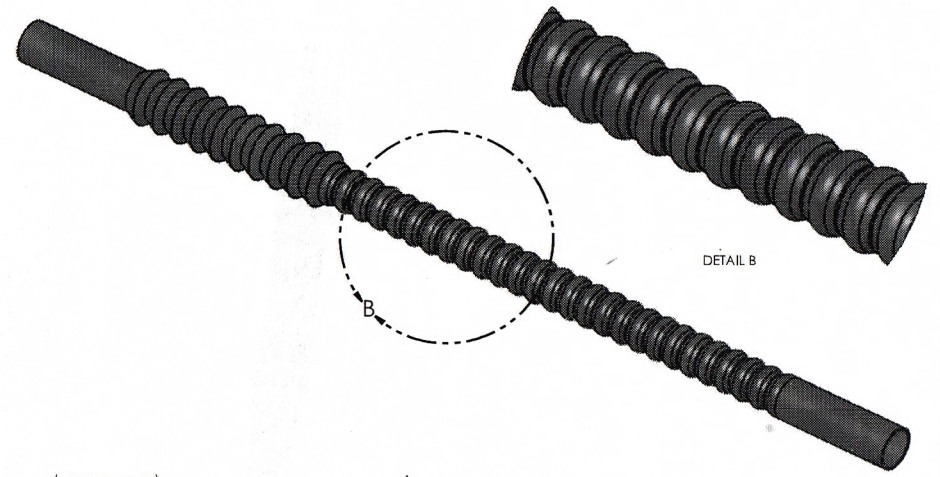
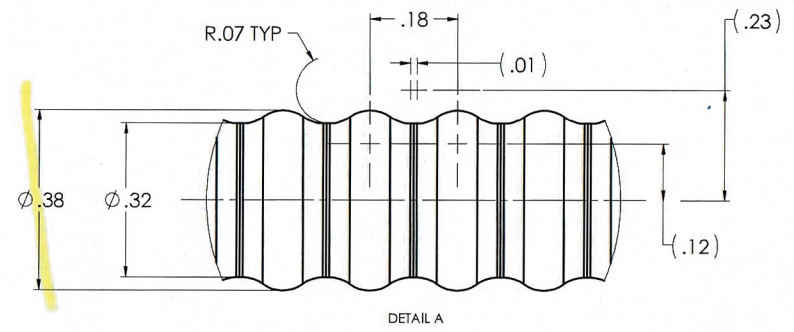


REV	ECR #	DESCRIPTION	BY	DATE
-----	-------	-------------	----	------



CORRUGATED MEMORY STRAW

- NOTES:**
1. ALL DIMENSIONS APPLY BEFORE SHRINKAGE.
 2. SOME STRAWS CONTAIN COLORANTS WHICH MAY SHRINK DIMENSIONS FURTHER THAN LISTED.
 3. WALL THICKNESS = .015" +/- .003"
 4. CUSTOM COLORS AVAILABLE UPON REQUEST.

PROPRIETARY AND CONFIDENTIAL
 THE INFORMATION CONTAINED IN THIS DRAWING IS THE SOLE PROPERTY OF SELA, INC. ANY REPRODUCTION IN PART OR AS A WHOLE WITHOUT THE WRITTEN PERMISSION OF SELA, INC. IS PROHIBITED.

THIRD ANGLE PROJ.		TOLERANCES ON LINEAR DIMENSIONS		ALL REQS. BELOW AND AT LEFT APPLY UNLESS OTHERWISE STATED		NAME		DATE		TITLE: CORRUGATED MEMORY STRAW	
0 TO <1	1 TO <6	6 TO <24	24 OR MORE	TOLERANCE DEFINITIONS ARE PER ASME Y14.5M-1994		RESP ENG	JJD	3-10-14		SIZE DWG. NO.	
3-PLACE DECIMAL	±.003	±.005	±.008	SURFACE DEFINITIONS ARE PER ASME B46.1-1995		DRAWN	JJD	3-10-14		REV QTY	
2-PLACE DECIMAL	±.01	±.02	±.02	BREAK CORNERS .02 MAX R OR CHFR		CHECKED	—	—		B CMS-DEFAULT	
1-PLACE DECIMAL	±.04	±.04	±.06	SURFACE FINISH 125 MICRONS		CUSTOMER	—		0		SHEET 1 OF 3
FRACTIONAL	±1/16	±1/16	±1/8	ALL LINEAR DIMENSIONS IN INCHES		PROJECT	—		0		
				MATERIAL		PP					

Visual of Straw Diameter	Decimal	Metric	Wall Thickness
	0.380	9.53	0.015 (+/- 0.002)

CASELAY