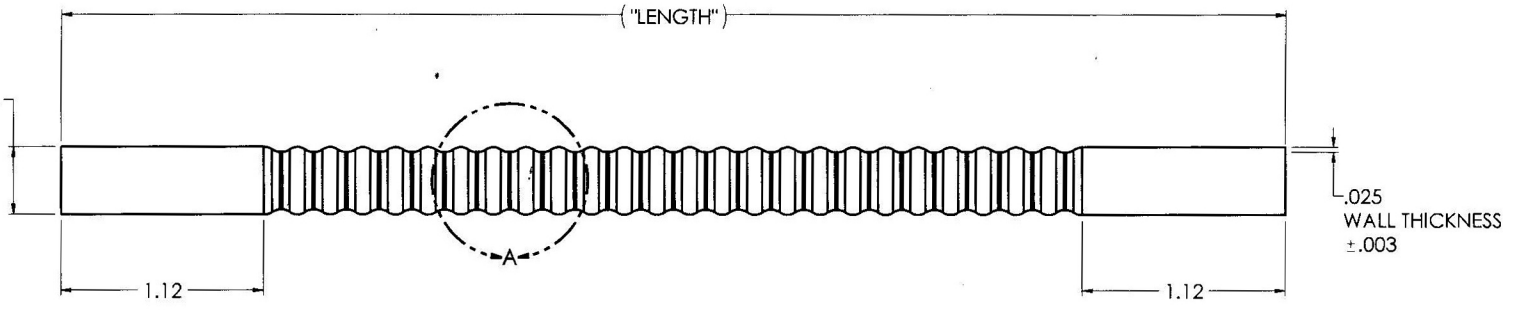
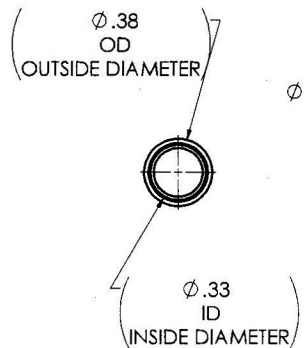
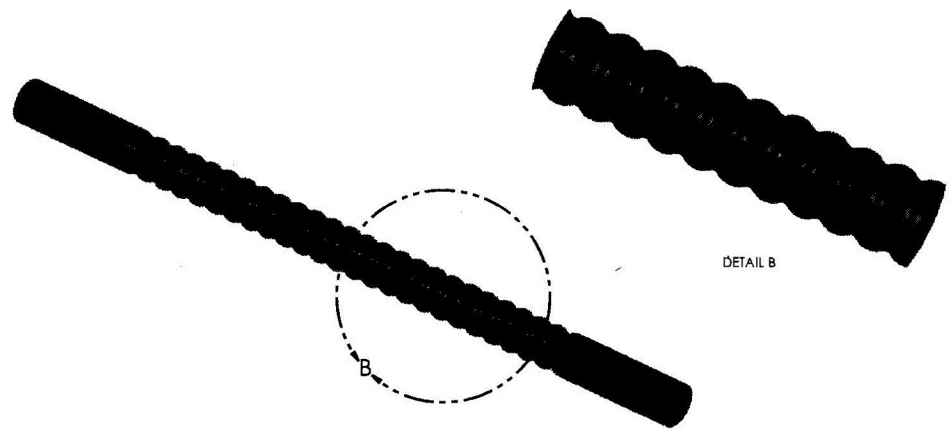
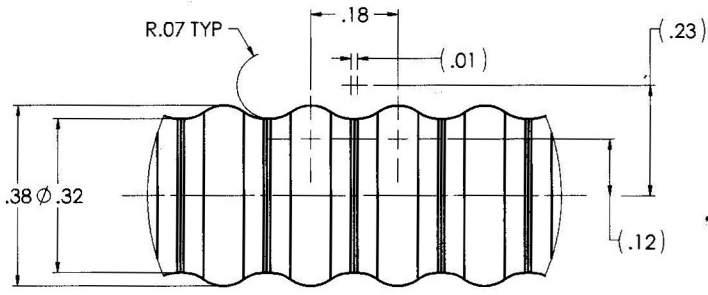


REV	ECR #	DESCRIPTION	BY	DATE
-----	-------	-------------	----	------



CORRUGATED STRAW

- NOTES:**
1. ALL DIMENSIONS APPLY BEFORE SHRINKAGE.
 2. SOME STRAWS CONTAIN COLORANTS WHICH MAY SHRINK DIMENSIONS FURTHER THAN LISTED.
 3. WALL THICKNESS = .025" +/- .003"
 4. CUSTOM LENGTHS AVAILABLE UPON REQUEST.
 5. CUSTOM COLORS AVAILABLE UPON REQUEST.

PROPRIETARY AND CONFIDENTIAL
 THE INFORMATION CONTAINED IN THIS DRAWING IS THE SOLE PROPERTY OF SELA, INC. ANY REPRODUCTION IN PART OR AS A WHOLE WITHOUT THE WRITTEN PERMISSION OF SELA, INC. IS PROHIBITED.

THIRD ANGLE PROJ.	TOLERANCES ON IDEAL DIMENSIONS				ALL REQS. BELOW AND TO LEFT APPLY UNLESS OTHERWISE STATED		NAME	DATE	TITLE: CORRUGATED STRAW	
	Ø TO <1	1 TO <5	Ø TO <24	24 OR MORE	TOLERANCE DEFINITIONS ARE PER ASME Y14.5M-1994		RESP ENG	JJD	2-21-14	SIZE DWG. NO. REV QTY
3-PLACE DECIMAL	±.003	±.005	±.008	±.010	SURFACE DEFINITIONS ARE PER ASME B46.1-1995		DRAWN	JJD	2-21-14	
2-PLACE DECIMAL	±.01	±.02	±.02	±.05	BREAK CORNERS .02 MAX R OR CHFR		CHECKED	—	—	CUSTOMER: — PROJECT: —
1-PLACE DECIMAL	±.04	±.04	±.04	±.12	SURFACE FINISH 125 MICRONS		ANGULAR DIMENSIONS ±0°-30°		MATERIAL: PP	
FRACTIONAL	±1/16	±1/16	±1/16	±1/8	ALL LINEAR DIMENSIONS IN INCHES		CHAMFER ANGLE TOLERANCE ±5°		SHEET 1 OF 3	
					DO NOT SCALE FROM DRAWING					

Visual of Straw Diameter	Decimal	Metric	Wall Thickness
	0.380	9.53	0.025 (+/- 0.003)